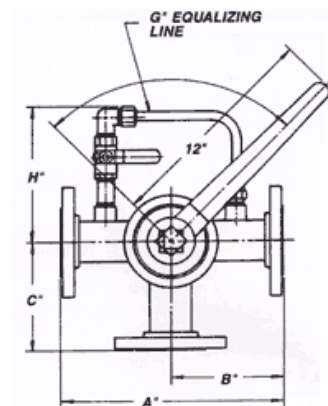
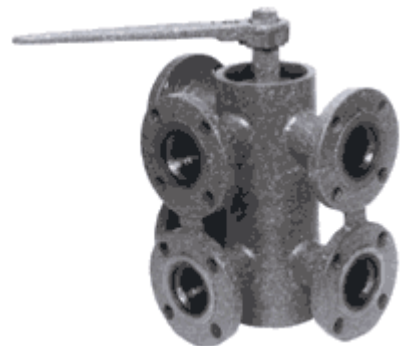




Nugent zero Leakage Transfer Valves

6-Port Transfer Valve Inlet Over Outlet



Size	Flange	Drawing NO.	A"	B"	C"	D"	E"	F"	G"	H"	Design
1-1/2"	300#	*35-582	10	5	5	3 3/8	6 3/8	16 1/16	4-Jan	8 3/4	665 PSI @250° F
1-1/2"	150#	*35-582	10	5	5	3 3/8	6 3/8	16 1/16	4-Jan	8 3/4	245 PSI @250° F
2"	300#	*35-583	12	6	6	3 1/4	6 3/4	16 3/16	2-Jan	8 5/8	665 PSI @250° F
2"	150#	*35-583	12	6	6	3 1/8	6 3/4	16 1/16	2-Jan	8 5/8	245 PSI @250° F
3"	300#	*35-601	15	7 1/2	7 1/2	4 1/8	10 1/4	19 3/8	2-Jan	9 1/8	665 PSI @250° F
3"	150#	*35-601	15	7 1/2	7 1/2	3 3/4	10 1/4	19	2-Jan	9 1/8	245 PSI @250° F
4"	300#	*35-595	21	10 1/2	8 3/8	7 3/16	11 1/2	24 5/8	2-Jan	8 1/2	665 PSI @250° F
4"	150#	*35-595	21	10 1/2	8 3/8	7 3/16	11 1/2	24 5/8	2-Jan	8 1/2	245 PSI @250° F

* 316 SST Rotor

All dimensions are approximate. Do not use for piping purposes.

** For reference only, customer to specify length.

740 PSI @ 100° F
285 PSI @ 100° F



How We Outperform the Competition Design Features

Founded in 1897, Wm. W. Nugent & Co. (Inc.) dedicated itself to providing engineered solutions to oil system problems. This dedication continues today with the introduction of our improved line of **Zero Leakage 6-port Transfer Valves** and new complementary line of **Zero Leakage 3-port Valves**. These user-friendly valves are specifically designed to divert the flow of liquids from one system to another easily, reliably, with absolutely no side-to-side leakage and no interruption to flow.

Discover how the unique features of our NUGENT Transfer Valves enable us to outperform the competition by reducing your pressure loss, while offering you multiple piping options at competitive prices.

Standard Design Features

- Steel Body
- Ductile Iron Rotor
- Buna Seals
- 150# or 300# ANSI RF Connections
- $\frac{1}{2}$ " Heavy-Wall Steel Tube Equalizing Line and Valve
- Multiple Inlet & Outlet Options
- 1 $\frac{1}{2}$ " through 4" Sizes
- Design Pressures to 675 PSI

Optional Design Features

- Stainless Steel Body
- Stainless Steel Rotor
- Viton Seals
- NPT, Socket Weld, Butt Weld or SAE Connections
- $\frac{1}{2}$ " Heavy-Wall Stainless Steel Tube Equalizing Line and Valve
- Limit Switch
- Locking Device
- Design Pressures Exceeding 675 PSI
- Customized Piping Configurations



How We Outperform the Competition The Nugent Advantage

Internal metal parts such as pads, springs, pins, and levers are purposely excluded. These pieces can break loose and damage equipment. Remember, half of all internal parts are on the clean side of your duplexed system with nothing to stop them in the event of a failure. This cannot happen with Nugent Zero Leakage Transfer Valves.



Stainless steel valve plugs or stainless steel balls are specified in API 614, 3rd edition. Nugent Zero Leakage Transfer Valves comply with the specification in total. Their API transfer valves may include carbon steel and bronze internal parts, thereby violating the intent of the specification. This is not so with Nugent Zero Leakage Transfer Valves.

Transferring flow from one system to another is easy with Nugent Zero Leakage Transfer Valves:

1. Open valve on equalizing line (provided) to fill and equalize pressure in both systems.
2. Rotate handle to redirect flow.
3. Close valve on equalizing line.

Other valve suppliers force you to unscrew locking mechanisms to release pads or tapered plugs before making the transfer. These short cuts in the field lead to permanently damaged valves resulting in leaks that become an environmental hazard, or worse, a health risk to personnel. These potential liabilities do not exist with Nugent Zero Leakage Transfer Valves.

Valve shoes or pads can restrict flow while passing over the inlet and outlet ports. This can cause a temporary pressure drop resulting in equipment shutdown. This does not happen with Nugent Zero Leakage Transfer Valves.

Maintenance, if required, is easy. Simply remove the retaining ring at the top of the valve body and lift the rotor out via a standard threaded eyebolt provided as part of our complete Seal Kit. Slip the new seals into place, lubricate the rotor, and gently tap the rotor back into place. Nugent Zero Leakage Transfer Valves do not require any special tools or complex maintenance

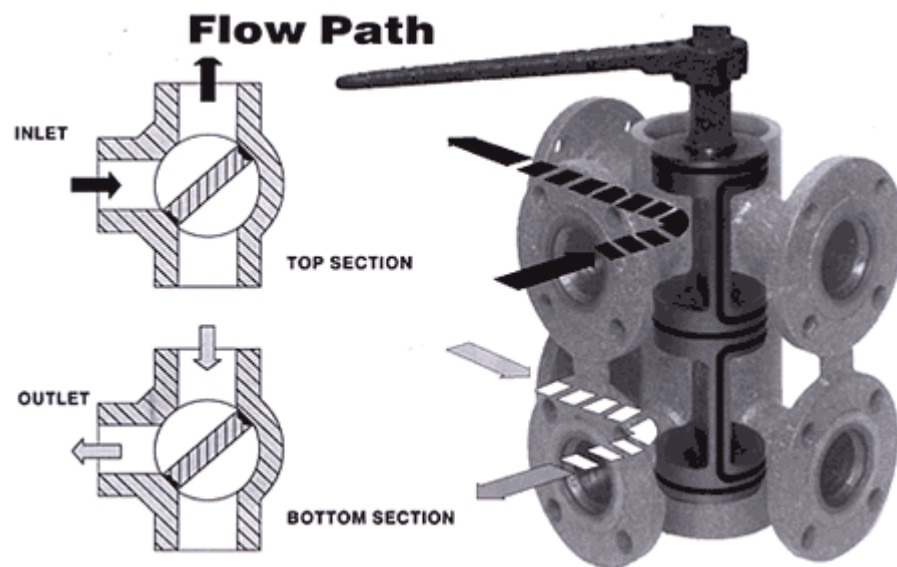
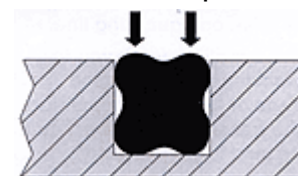
instructions



Nugent Quad Ring Design Provides Positive Seal for Zero Crossover Leakage

Each of the two Quad Rings provides a double-sealing surface that totally encircles the out-of-service ports. This results in a positive, leak-free seal even at test pressures to 1,000 PSI. Spectacle blinds are not required for tight shutoff.

- Quad Rings will not roll out.
- Quad Rings wipe the valve clean
- Quad Rings can be replaced easily
- Quad Rings are available in a variety of materials



Dual Sealing Surfaces

