

**ENGINEERING STANDARDS**

Rosedale Products, Inc.  
3730 West Liberty Road  
Ann Arbor, MI 48103

IOM  
LCO-8.WP6  
n:\iom\



Issue Date: 25MAR96  
Revision:  
Revision Date:

Specification No.  
**7.4.3**  
PAGE: 1 of 6

**INSTALLATION, OPERATION, & MAINTENANCE MANUAL**

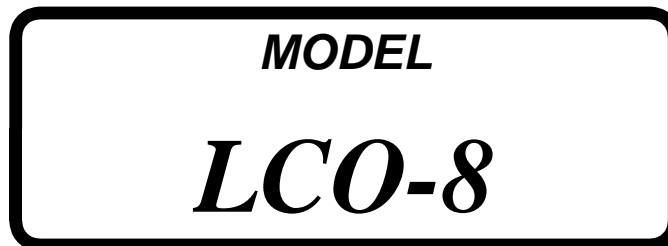
# **INSTALLATION, OPERATION AND MAINTENANCE MANUAL**

ROSEDALE PRODUCTS, INC.



**MODEL LCO-8**

125 PSIG RATED FILTER UNIT



## Table of Contents

I.	Installation .....	2
II.	Operation .....	3
III.	Spare Parts List .....	4
IV.	Spare Parts Diagram .....	5

**ENGINEERING STANDARDS**

Rosedale Products, Inc.  
3730 West Liberty Road  
Ann Arbor, MI 48103

IOM  
LCO-8.WP6  
n:\iom\



Issue Date: 25MAR96  
Revision:  
Revision Date:

Specification No.  
**7.4.3**  
PAGE: 2 of 6

**INSTALLATION, OPERATION, & MAINTENANCE MANUAL**

## ENGINEERING STANDARDS

Rosedale Products, Inc.  
3730 West Liberty Road  
Ann Arbor, MI 48103

IOM  
LCO-8.WP6  
n:\iom\



Issue Date: 25MAR96  
Revision:  
Revision Date:

Specification No.  
**7.4.3**  
PAGE: 3 of 6

### INSTALLATION, OPERATION, & MAINTENANCE MANUAL

#### I. Installation

Please remove all shipping and crating materials carefully. Be sure to remove the plugs from the inlet and outlet openings. Dispose of all crating materials safely.

The **MODEL LCO-8** Filter unit is capable of having several different piping variations based upon the outlet style of your unit. The inlet service line should be connected to the inlet NPT coupling located near the top of the unit (above the basket level).

The outlet service line should be connected to the outlet NPT coupling, located near the middle or bottom of the unit (below the basket level). The **MODEL LCO-8** is designed to utilize either the side NPT coupling as an outlet or the bottom NPT coupling as an outlet, depending upon your application requirement. Simply install the NPT plug to direct flow as needed.

There are two 1/4" NPT ports on the shell of the **MODEL LCO-8** Filter unit. These ports can remain plugged or used for pressure gauges or special fittings as your application requires.

Some installations require electrical grounding of all equipment, be sure to provide adequate grounding where necessary.

After completing installation be sure to double check connections for integrity. Your **MODEL LCO-8** Filter unit has been factory pressure tested leak free, therefore, any seepage problems usually occur from improper installation connections.

You are now ready to install the filter basket and bag. Remove cover by loosening the T-bolt clamp sufficiently to allow removal of the clamp assembly.

Place the basket into the filter housing, make sure the basket flange is firmly seated onto the step on the inside of the housing.

Insert bag into the bag basket making sure filter bag ring is firmly seated against the top of the basket flange. For best results, be sure filter bag is installed fully extended to the bottom of the basket.

Before replacing cover and clamp assembly, inspect cover seal gasket (replacing as necessary). Replace cover and tighten the T-bolt clamp assembly to ensure a leak proof seal between the cover and housing body.

Your Rosedale **MODEL LCO-8** is now ready for operation!

## ENGINEERING STANDARDS

Rosedale Products, Inc.  
3730 West Liberty Road  
Ann Arbor, MI 48103

IOM  
LCO-8.WP6  
n:\iom\



Issue Date: 25MAR96  
Revision:  
Revision Date:

Specification No.  
**7.4.3**  
PAGE: 4 of 6

### INSTALLATION, OPERATION, & MAINTENANCE MANUAL

#### II. Operation

##### Filter System Start-Up Procedure:

Prior to turning on the flow to the inlet service, please make the following checks:

1. Check inside filter unit to be sure basket and filter bag (if applicable) are in housing and do not require cleaning or replacement. If necessary install a clean filter basket and bag (if applicable).
2. Check that filter unit cover is securely fastened to housing. You are now ready to open the flow to the inlet service line. Slowly open the inlet service line approximately 25% of normal operational flow (open slowly as not to displace filter bag inside the housing). After filter unit is pressurized and vented, slowly open outlet service line unit valve until completely open. Complete opening of inlet service line until desired flow rate is reached.

Once the desired service flow has been established, the filter will operate efficiently until dirty. However, under no circumstances should more than *15 PSI Differential Pressure* through the filter be obtained. Operating the filter unit with a high differential may cause filter bags to rupture and/or cause damage to filter system and downstream equipment.

To prevent excessive drop through the filter unit, regular inspection of the filter media is required. Monitoring of differential pressure through the housing can be utilized as a means of determining whether or not the filter media needs cleaning or replacement.

When it becomes necessary to clean or replace filter media, follow the procedure outlined below:

1. First close the flow from the inlet service line.
2. Close the flow to the outlet service line. (In some applications closing flow to outlet is not required.)
3. Relieve the pressure from the filter unit.



4. Drain housing sufficiently to access filter basket.
5. Remove cover by loosening the T-bolt clamp sufficiently to allow removal of the clamp assembly.
6. Remove filter basket and clean thoroughly, remove the filter bag (if applicable) and throw away. (Cleaning and reusing the filter bag is not recommended.)

## ENGINEERING STANDARDS

Rosedale Products, Inc.  
3730 West Liberty Road  
Ann Arbor, MI 48103

IOM  
LCO-8.WP6  
n:\iom\



Issue Date: 25MAR96  
Revision:  
Revision Date:

Specification No.  
**7.4.3**  
PAGE: 5 of 6

### INSTALLATION, OPERATION, & MAINTENANCE MANUAL

7. Remove debris and sludge from inside the inlet portion of housing to avoid interference with flow of fluid being filtered.
8. Install clean filter basket and filter bag (if applicable). Place the basket into the filter housing, make sure the basket flange is firmly seated onto the step on the inside of the housing. Insert bag into the bag basket making sure filter bag ring is firmly seated against the top of the basket flange. For best results, be sure filter bag is installed fully extended to the bottom of the basket.
9. Inspect cover gasket for cuts or other signs of failure and make sure it is properly seated.

Your Rosedale **MODEL LCO-8** Filter unit is now ready for operation. Refer to filter system start-up procedure.

#### III. Spare Parts List

Your Rosedale **MODEL LCO-8** Filter unit will give you many years of reliable service provided periodic inspections are made of various components and replacement of worn parts are made promptly. The following is meant to be a recommended spare parts list, these parts are illustrated on the following page.

SPARE PARTS LIST			
Balloon	Description	Part Number	Time-Frame
1	Cover Seal	8LCOCG-*	as needed
2	Clamp Assembly	8LCO-C-Clamp	as needed
3	Cover	8C-LCO-*	as needed
4	T-Bolt	8T-Bolt	as needed
5	T-Handle	8T-Handle	as needed
6	Filter Bag	(See Order)	as needed
7	Filter Basket	(See Order)	as needed
8	Tripod Legs	8T22*S	as needed

\* Select Material Designation:

C=Carbon Steel  
S=304 Stainless Steel

B=Buna N  
E=Ethylene Propylene  
V=Viton

# ENGINEERING STANDARDS

Rosedale Products, Inc.  
3730 West Liberty Road  
Ann Arbor, MI 48103

IOM  
LCO-8.WP6  
n:\iom\

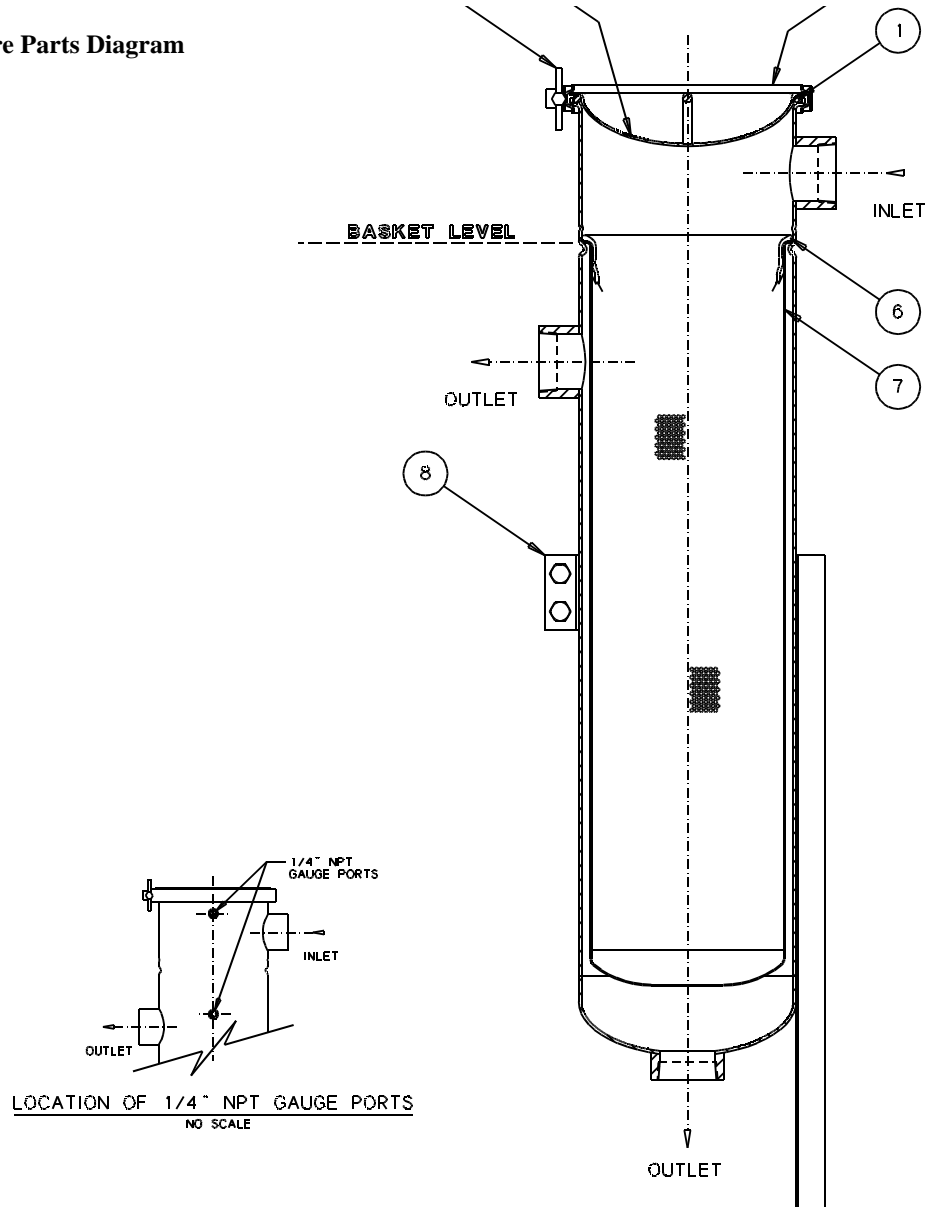


Issue Date: 25MAR96  
Revision:  
Revision Date:

Specification No.  
**7.4.3**  
PAGE: 6 of 6

## INSTALLATION, OPERATION, & MAINTENANCE MANUAL

### IV. Spare Parts Diagram



## ENGINEERING STANDARDS

Rosedale Products, Inc.  
3730 West Liberty Road  
Ann Arbor, MI 48103

IOM  
LCO-8.WP6  
n:\iom\



Issue Date: 25MAR96  
Revision:  
Revision Date:

Specification No.  
**7.4.3**  
PAGE: 7 of 6

## INSTALLATION, OPERATION, & MAINTENANCE MANUAL

### Important Notice

**Warranty:** In the event any Rosedale Products, Inc. filtration product is found to be defective in material, workmanship, or not in conformance with any express warranty for a specific purpose, Rosedale's only obligation and your exclusive remedy, shall be to repair, replace or refund the purchase price of such parts or products upon timely notification thereof and substantiation that the product has been stored, maintained and used in accordance with Rosedale's written instructions.

**EXCLUSIONS TO WARRANTY: THIS WARRANTY IS EXCLUSIVE AND IS IN LIEU OF ANY IMPLIED WARRANTY OF MERCHANTABILITY, FITNESS FOR A PARTICULAR PURPOSE OR OTHER WARRANTY OF QUALITY, EXCEPT OF TITLE AND AGAINST PATENT INFRINGEMENT.**

**LIMITATION OF LIABILITY:** Except as provided above, Rosedale shall not be liable or responsible for any loss or damage, whether direct, indirect, incidental, special or consequential, arising out of sale, use or misuse of Rosedale filtration products, or the user's inability to use such products.

THE REMEDIES SET FORTH HEREIN ARE EXCLUSIVE.

**Rosedale Products, Inc.**  
3730 West Liberty Road  
Ann Arbor, MI 48103 USA  
734-665-8201  
800-821-5373  
Fax. 734-665-2214  
Filters@mcimail.com  
<http://www.webcom.com/~filters/>

## ENGINEERING STANDARDS

Rosedale Products, Inc.  
3730 West Liberty Road  
Ann Arbor, MI 48103

IOM  
LCO-8.WP6  
n:\iom\



Issue Date: 25MAR96  
Revision:  
Revision Date:

Specification No.  
**7.4.3**  
PAGE: 8 of 6

## INSTALLATION, OPERATION, & MAINTENANCE MANUAL