

**CALPICO  
Inc.**

**D.R. SHANNON CO.**  
Filters, Tools & Gloves  
23407 PACIFIC HIGHWAY 90, DES MOINES, WA 98199  
(206) 824-3308

## PLASTIC INSULATORS WITH UP TO 4" HIGH SKIDS

### MODEL PX CASING INSULATORS

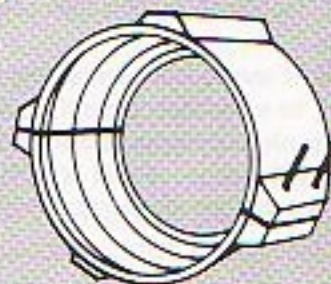
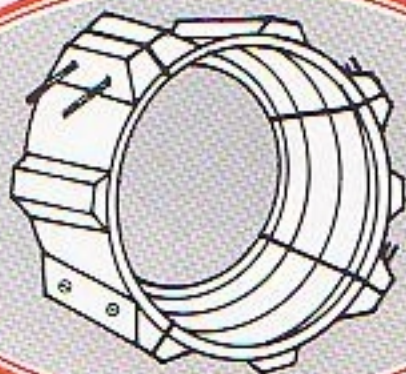
Calpico Model PX casing insulators will accommodate ductile iron, AC, C900, steel and other types of pipe. Skids can be made 4" or higher to clear most any size bell or coupling. For steel pipe, the standard effective skid height is 1". For pipe with a bell or coupling, or to center the pipe inside the casing, just specify the skid height desired.

#### FEATURES

Model PX casing insulators are made from solid polyethylene, which provides high impact strength and a low coefficient of friction (to slide more easily). Non-deteriorating polyethylene lasts indefinitely inside the casing – the only metal is the bolts. A grooved inner surface prevents slippage and damage to any coating the pipe may have. Model PX insulators are light in weight, easy to handle, and easy to install – no special tools are needed.



Model PX insulators come in two segments from sizes 1/2" through 14". Sizes 16" and over come in multiple segments to fit any size pipe. (Sizes 16" and over can also be made in 2 segments only, if specified). Special band widths of up to 24" are readily available. Many of the above features will not work for certain sizes of pipe, couplings, bells, and casing. For establishing specifications and feasibility, please call.



All bolts, nuts and washers are plated and are shipped in a package with insulators.

For Pipe Linx and End Seal information – See other side