

Water Filter Selection Guide

Rosedale has installed many housings for filtering industrial water applications in industries as diverse as automotive, steel, metal fabrication, and paper processing, among many others.

The Generation II All Plastic Model 8 Bag Filter

(For more information on the Generation II, see page 29)

Rosedale's Generation II model 8-sized polypropylene bag filters are made in a one-piece, seamless body that offers excellent resistance to corrosion. It is rated to 100 psi @ 150°F and flows to 100 gpm, choose the pre-selected ordering code listed below.

Pre-Selected Corrosive Resistant Model 8 Ordering Code



	Housing	Options
Example:	CR8 - 30 - 2F - * - 100 - P - B - C	
Model No. Corrosive Resistant Model 8 = CR8		
Housing Size 30 inch = 30		
Pipe Size (Flange) 2-inch Flat Face class 150 = 2F		
Outlet Style Side/Bottom Unistyle = *		
Pressure Rating 100 psi = 100		
Housing Material Polypropylene = P		
Cover Gasket Buna N = B Ethylene Propylene = E Viton® = V Teflon® Encapsulated Viton® = TEV		
Convertible 700 Cartridge Adapter = C		

For more information on filter elements see page 106-109.

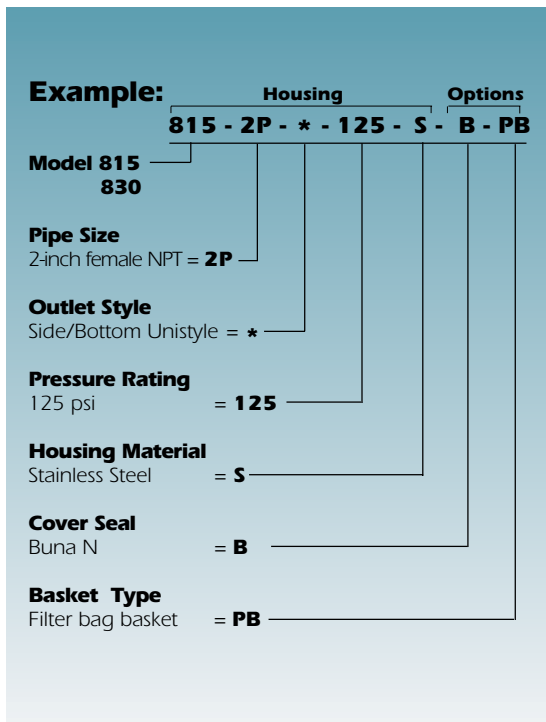
R Model 8 Filter Housing With Quick Opening Clamp Cover

(For more information on the Model 8-125, see page 25.)

These high-capacity bag filters are rugged and low in cost. The Quick Opening Clamp Cover is quick and easy to remove. The housing is rated at 125 psi and flows to 100 gpm, choose the pre-selected ordering code listed below.

For more information on filter bags, see page 106-109.

Pre-Selected Model 8 Filter Housing with Quick Opening Clamp Cover



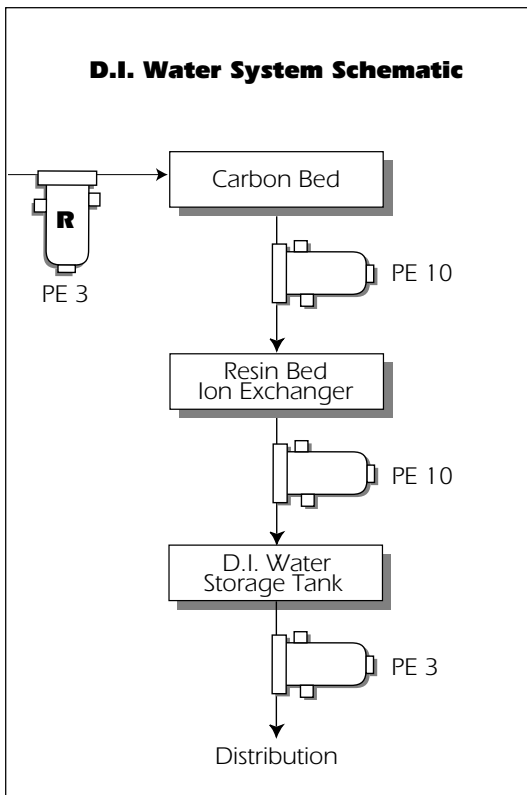
R Extra High Capacity Multi-Bag Filters

(For more information on the Multi-Bag Filters, see page 32)

These multi-bag filters offer a wide range of flow capacities and contaminant holding capabilities. They contain from 2 to 23 baskets, all the same size. They are fitted with perforated stainless steel baskets designed to hold disposable or cleanable filter bags. Industry standard size bags are used: the standard 30-inch baskets take bag size 2, and optional 15-inch baskets take size 1. The standard pressure rating for all models is 150 psi. All housings can be supplied with a ASME code stamp, if required. For filter flows to 2300 gpm with a 150 psi rated housing, use the pre-selected ordering code listed on the next page.



Typical Application



Water Flow Rates with 10m Filter Bags

Model	GPM
16	200
18	300
22	400
24	600
30	800
36	1200
42	1700
48	2300

R Pre-Selected Multi-Bag

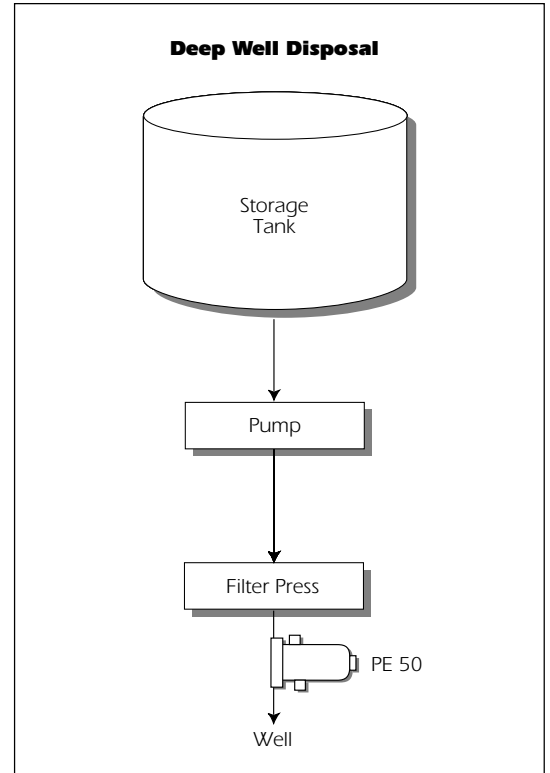
Filters Ordering Code

Model Selection (30-inch deep baskets)

Model No. (and dia. in inches)	Number of baskets	Straining, filtering area, ft ²	Standard pipe sizes available, in.	Nominal flow rate, gpm
16	2	8.8	2, 3, 4	200
18	3	13.2	2, 3, 4	300
22	4	17.6	3, 4, 6	400
24	6	26.4	3, 4, 6	600
30	8	35.2	4, 6, 8	800
36	12	52.8	6, 8, 10	1200
42	17	74.8	8, 10, 12	1700
48	23	101.2	8, 10, 12	2300

Pre-selected Multi-Bag
Filters Ordering Code

Typical Application



Example: 24 - 30 - 4F - 1 - 150 - S - E - N - PB - N

MODEL NO.

16 = **16** 30 = **30**
 18 = **18** 36 = **36**
 22 = **22** 42 = **42**
 24 = **24** 48 = **48**

BASKET DEPTH

30-in. (std) = **30**

PIPE SIZE (FLANGED¹)

2-in. (Models 16, 18, 22, 24) = **2F**
 3-in. (Models 16, 18, 22, 24, 30, 36) = **3F**
 4-in. (Models 16, 18, 22, 24, 30, 36) = **4F**
 6-in. (Models 22, 24, 30, 36) = **6F**
 8-in. (Models 30, 36, 42, 48) = **8F**
 10-in. (Models 36, 42, 48) = **10F**
 12-in. (Model 42, 48) = **12F**

OUTLET STYLE

In-line, bottom (std) = **1**

ASME CODE STAMP³

N = None
C = Code

BASKET, TYPE

PB = Filter bag basket, 9/64 perforations¹

BASKET SEAL

N = No seal

COVER SEAL

E = Ethylene Propylene

HOUSING MATERIAL

S = 304 stainless steel

PRESSURE RATING²

150 = 150 psi (flanged)

1. Flanges provided with the housing match the pressure rating of the vessel. Housings rated 150 psi have 150 class flanges. Housings rated 300 psi have 300 class flanges. Other styles and classes available. ANSI B16.5 Pressure-Temperature rating tables determine flange class for ASME code housings. Consult factory.

2. Higher pressure ratings available. Consult factory.

3. Filter bags are specified separately. See page 106.